

7. Parts catalog

How to use this parts catalog

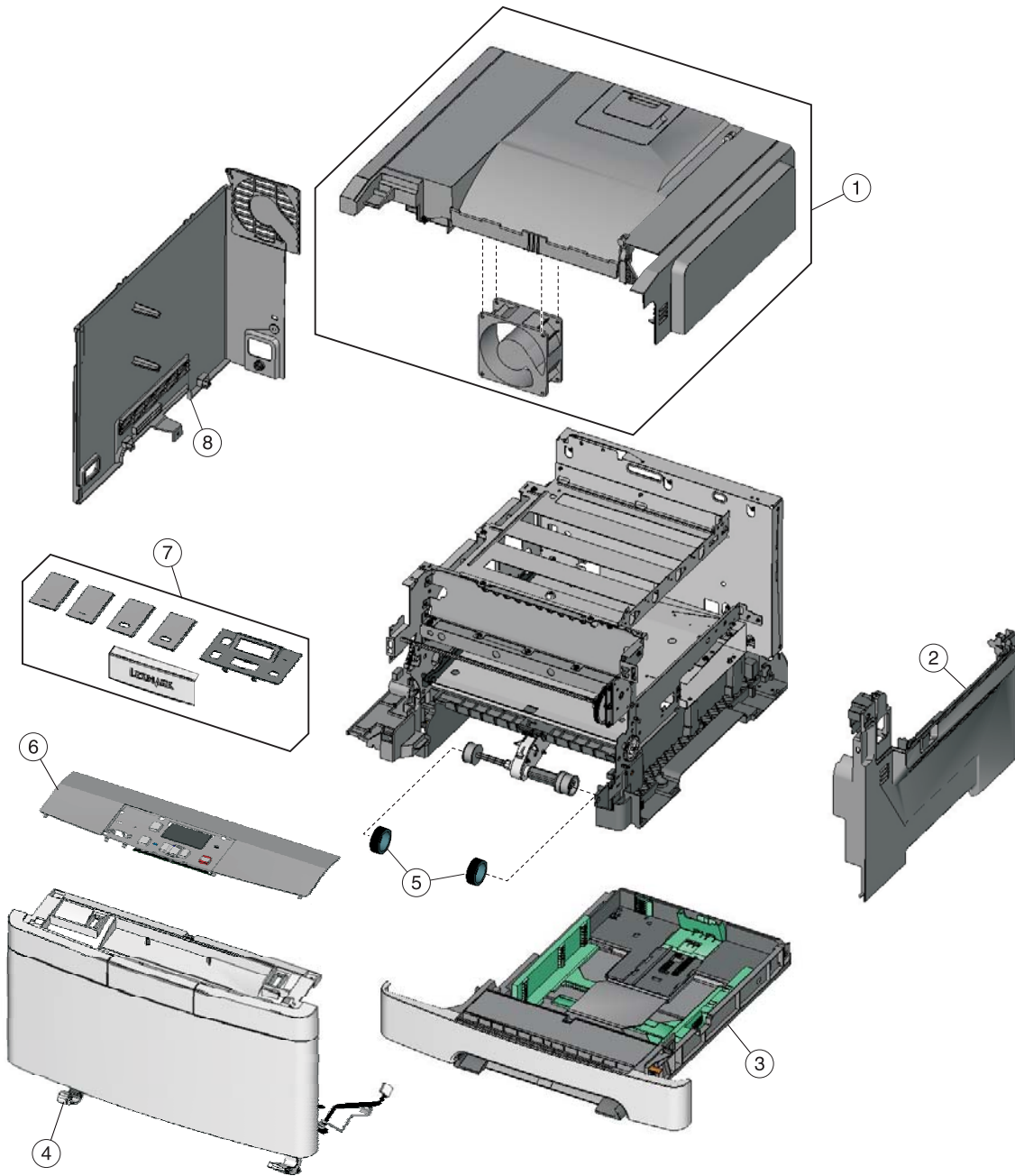
The following legend is used in the parts catalog:

Asm-index	Part number	Units/mach	Units/FRU	Description
-----------	-------------	------------	-----------	-------------

- **Asm-index:** Identifies the assembly and the item in the diagram. For example, 3-1 indicates Assembly 3 and item number 1 in the table.
- **Part number:** Identifies the unique number that identifies this FRU.
- **Units/mach:** Refers to the number of units actually used in the base machine or product.
- **Units/FRU:** Refers to the number of units packaged together and identified by the part number.
- **NS:** (Not shown) in the Asm-Index column indicates that the part is procurable but is not pictured in the illustration.
- **PP:** (Parts Packet) in the parts description column indicates the part is contained in a parts packet.
- Model information used in the parts catalog:

Machine type/model	Term used in parts	Product name	Description
5025-210	210	Lexmark C540n	Network
5025-230	230	Lexmark C543dn	Network, duplex
5025-410	410	Lexmark C544n	Network
5025-430	430	Lexmark C544dn	Network, duplex
5025-43W	43W	Lexmark C544dw	Wireless network, duplex

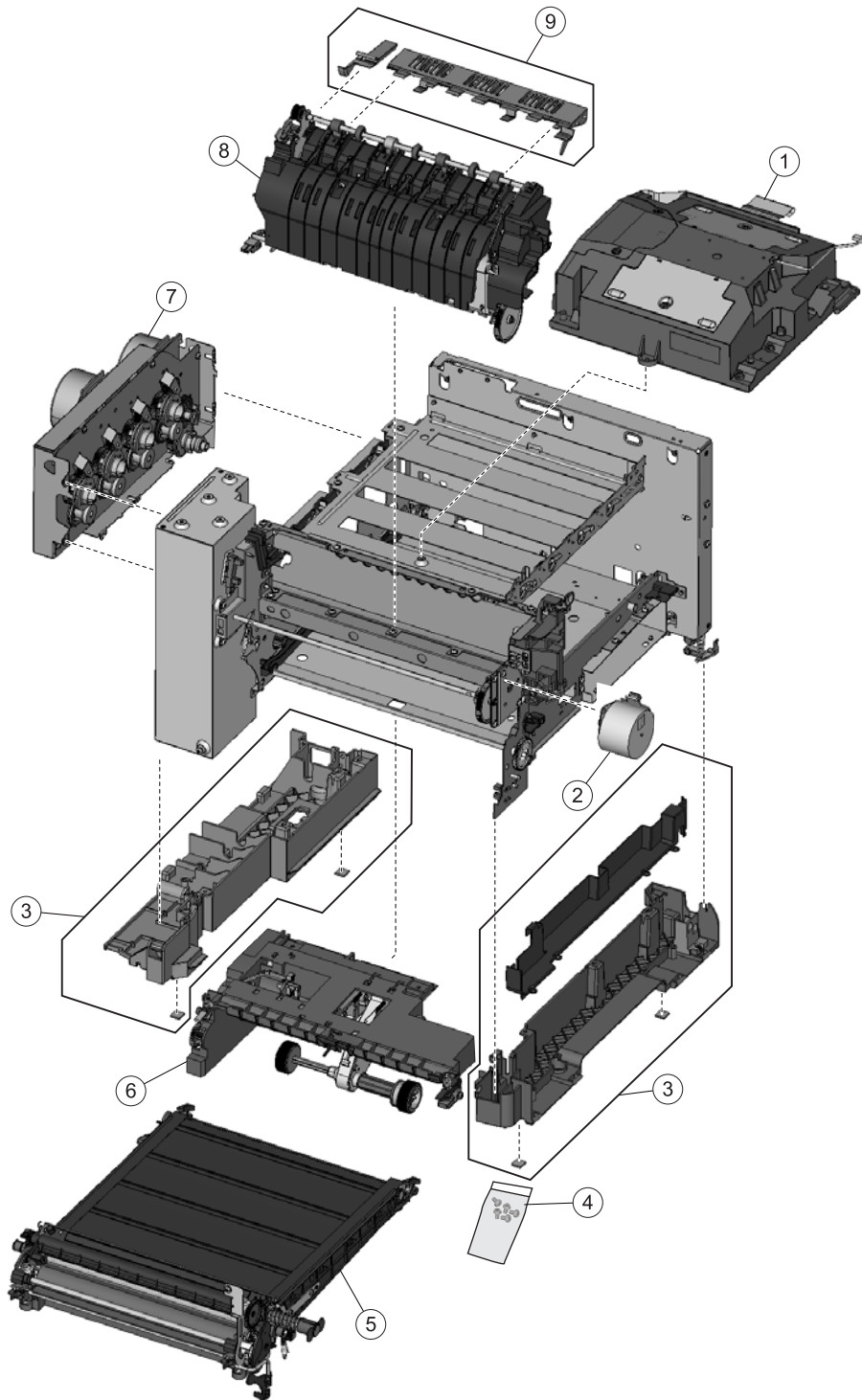
Assembly 1: Covers



Assembly 1: Covers

Asm-Index	Part number	Units/mach	Units/FRU	Description
1—1	40X5418	1	1	Top cover assembly
2	40X5416	1	1	Right cover assembly
3	40X5419	1	1	250-sheet tray assembly
4	40X5430	1	1	Front cover assembly (including duplex and USB port cable)—C543dn, C544dn, C544n
4	40X5420	1	1	Front cover assembly (excluding duplex and USB port cable)—C540n
5	40X5168	2	2	Pick tires
6	40X5431	1	1	Operator panel and display assembly
6	40X5436	1	1	Operator panel (DBCS) and display assembly
7	40X5432	1	1	Operator panel bezel and name plates, including: <ul style="list-style-type: none"> • Bezel (1) • Name plates (4) • Logo plate (1)
8	40X5417	1	1	Left cover assembly
NS	40X5441	1	1	Dust cover

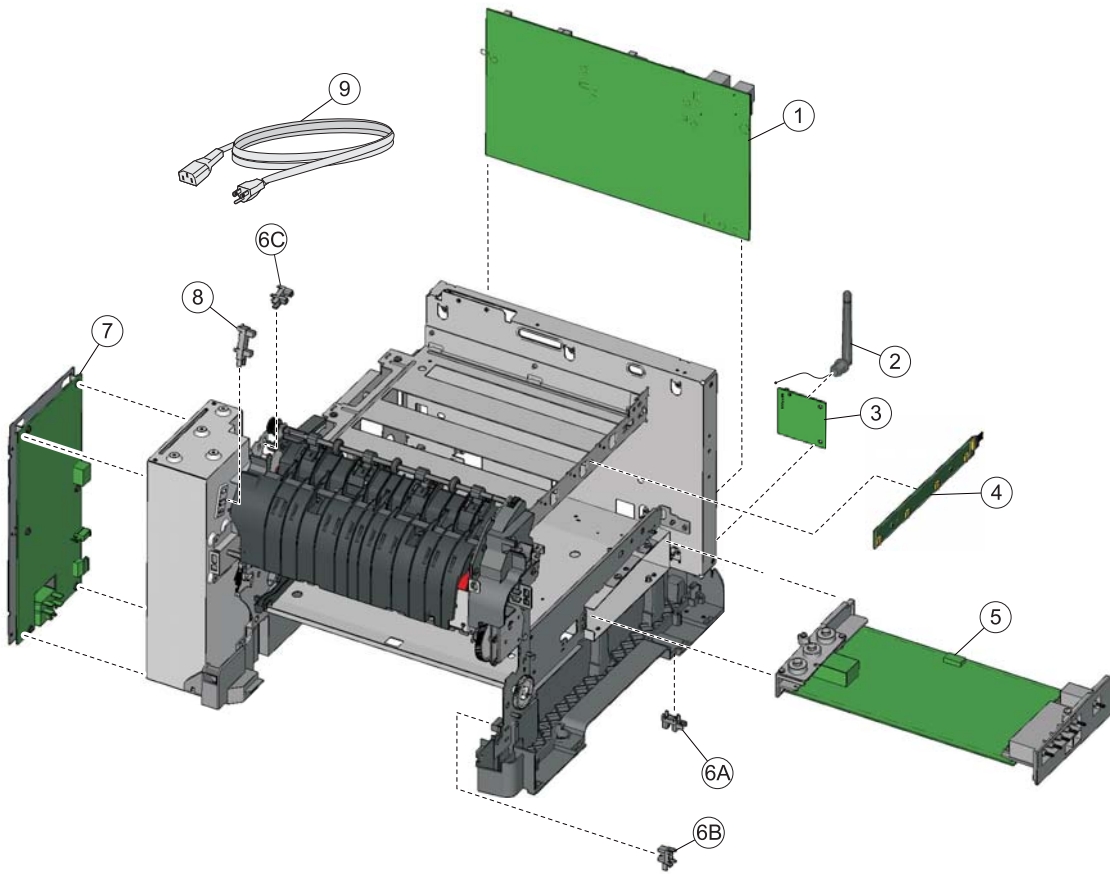
Assembly 2: Frames



Assembly 2: Frames

Asm-Index	Part number	Units/mach	Units/FRU	Description
2—1	40X5411	1	1	Printhead
2	40X5415	1	1	Fuser drive motor assembly
3	40X5422	1	1	Lower left frame and lower right frame with cable cover
4	40X5424	1	1	Screw packet, miscellaneous screws <ul style="list-style-type: none"> • TAPTITE M3 L6 PANHD(4) • Tray Bias (2) • Fuser Latch (2) • ITU Front Hold Down (1) • Front Cover Latch Spring (2) • M3 x 6 Pan Head (2) • M3 x 6 Shoulder (1) • M3.5 X 5 Flat Head Plastite (1) • METAL ROLN M3.5 8L (2) • PLAST ROLN 2.9 8L (2) • PLAST ROLN 3.5 6L (4)
5	40X5403	1	1	Image transfer unit (ITU) assembly
6	40X5410	1	1	Autocompensator mechanism (ACM)—standard tray
7	40X5412	1	1	Main drive gear assembly, with motors
8	40X5437	1	1	Fuser assembly, 115 V
8	40X5438	1	1	Fuser assembly, 230 V
8	40X5439	1	1	Fuser assembly 100 V
9	40X5433	1	1	Exit deflector and bin full sensor flag

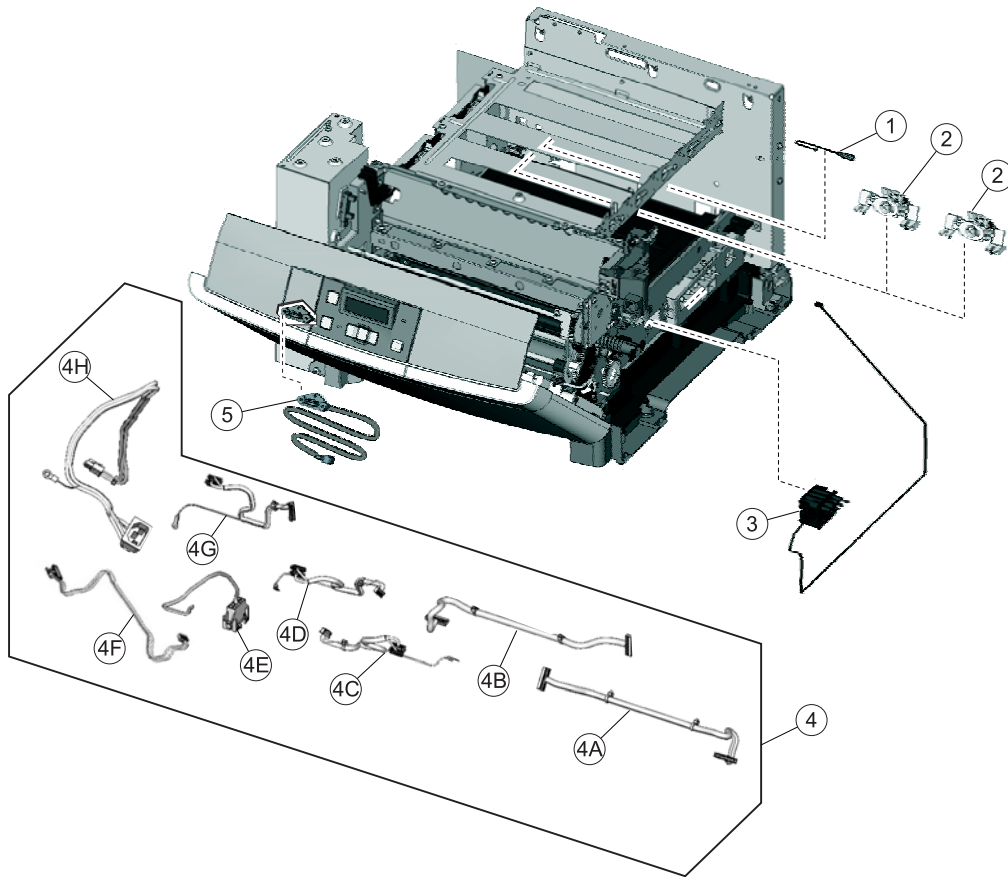
Assembly 3: Electronics



Assembly 3: Electronics

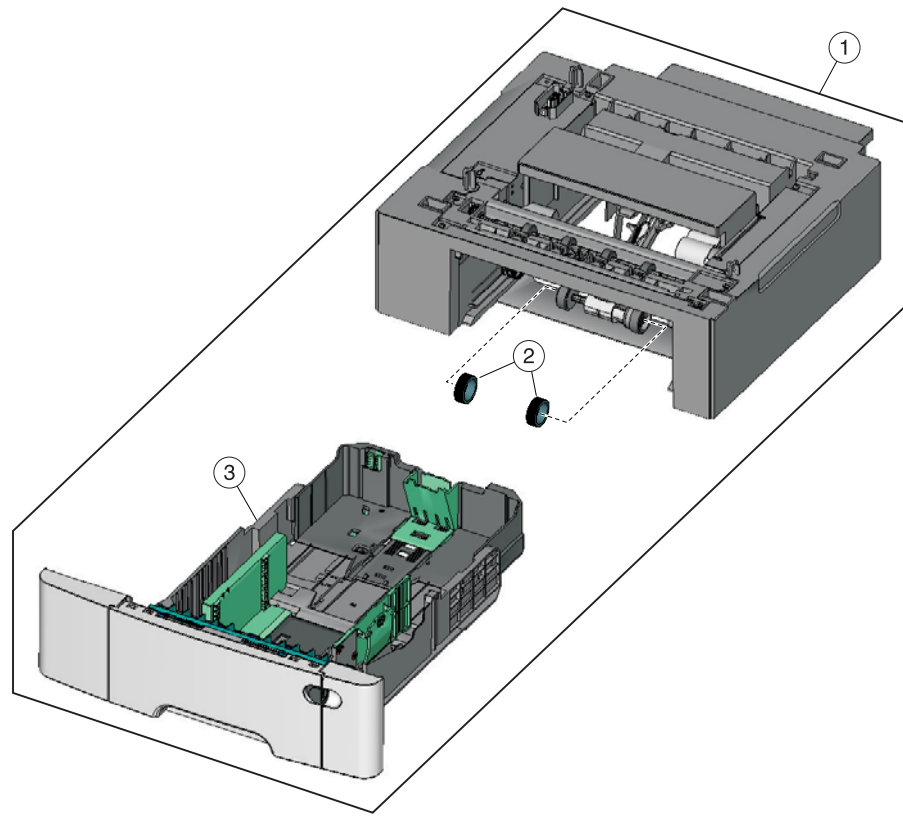
Asm-Index	Part number	Units/mach	Units/FRU	Description
3—1	40X5427	1	1	Controller board—C544n, C544dn, C544dw
1	40X5428	1	1	Controller board—C540n, C543dn
2	40X5319	1	1	Antenna for wireless card—C544dw only
3	40X5036	1	1	Wireless network card assembly—C544dw only
4	40X5404	1	1	Toner meter cycle card assembly
5	40X5405	1	1	High-voltage power supply
6	40X5426	3	1	Photo sensor (one per package), used for: A Tray present B Duplex C Exit/Bin full/narrow media sensor
7	40X5409	1	1	Low-voltage power supply (universal power supply)
8	40X5413	1	1	Fuser exit sensor
9	40X1766	1	1	Power cord, 2.5M (straight)—USA, Canada, Bolivia, Peru, (shown)
9	40X0288	1	1	Power cord, 2.5M (straight)—Argentina
9	40X0301	1	1	Power cord, 2.5M (straight)—Australia
9	40X0277	1	1	Power cord, 1.8M (straight)—Brazil
9	40X0273	1	1	Power cord, 2.5M (straight)—Chile, Uruguay
9	40X0279	1	1	Power cord, 2.5M (straight)—Denmark
9	40X0275	1	1	Power cord, 2.5M (straight)—Israel
9	40X0270	1	1	Power cord, 2.5M (straight)—Japan
9	40X1792	1	1	Power cord, 2.5M (straight)—Korea
9	40X3141	1	1	Power cord, 2.5M (straight)—Paraguay
9	40X0303	1	1	Power cord, 2.5M (straight)—PRC
9	40X1773	1	1	Power cord, 2.5M (straight)—South Africa
9	40X1772	1	1	Power cord, 2.5M (straight)—Switzerland
9	40X1791	1	1	Power cord, 2.5M (straight)—Taiwan
9	40X0287	1	1	Power cord, 2.5M (straight)—Traditional Italy
9	40X0271	1	1	Power cord, 2.5M (straight)—United Kingdom

Assembly 4: Cables



Asm-Index	Part number	Units/mach	Units/FRU	Description
4—1	40X5429	1	1	ITU paper path thermistor
2	40X5414	2	1	Toner density sensors, left or right (one in package)
3	40X5421	4	4	Toner cartridge contacts (Pogo pin)
4	40X5423	1	1	Cable packet, used for: A AC power in B Low-voltage power supply C High-voltage power supply D Fuser / S1 E CYM / K motors F Option Tray G Fuser exit/narrow media/bin full H Wire tie—1.0mm I Tray present cable
5	40X5425	1	1	USB port and cable (for portable flash drive)

Assembly 5: Options and miscellaneous



Asm-Index	Part number	Units/opt.	Units/FRU	Description
5—1	40X5434	1	1	Optional 550-sheet duo drawer with 100-sheet MPFunit (complete)
2	40X5168	2	2	Pick tires
3	40X5435	1	1	550-sheet duo drawer with 100-sheet MPF tray assembly
NS	40X5937	1	1	128MB DDR DRAM DIMM card assembly
NS	40X5938	1	1	256MB DDR DRAM DIMM card assembly
NS	40X5939	1	1	512MB DDR DRAM DIMM card assembly
NS	40X1455	1	1	64MB Flash card assembly
NS	40X5969	1	1	Korean font card assembly
NS	40X5970	1	1	Simplified Chinese font card assembly
NS	40X5971	1	1	Traditional Chinese font card assembly
NS	40X5972	1	1	Japanese font card assembly
NS	40X1368	1	1	USB cable, packaged (2 m)
NS		1	1	Field relocation package assembly

5025-2xx, 4xx